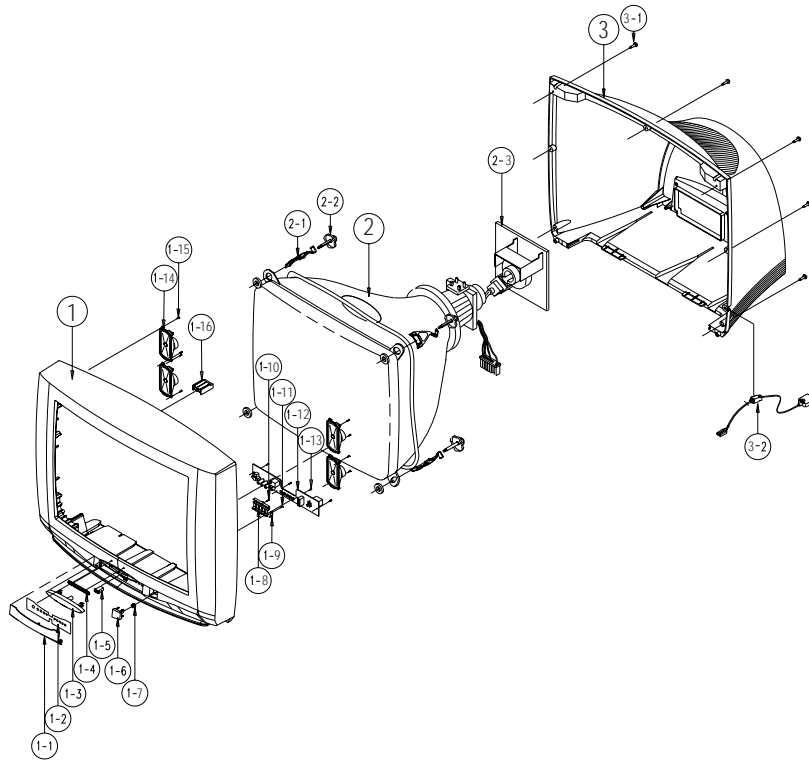


6. Exploded View & Parts List

6-1 CK28C7VD3X/XEH



No	Code No	Description ; Specification	Q'ty	Remark
1	HA91-100027	ASSY-CABINET,FRONT;28C7,S51A,DOLBY	1	
	HA64-300069	CABINET-FRONT;- ,28C7,P94.908,HB,BLK,DOLBY	1	
1-1	HA64-50258A	DOOR-CONTROL;- ,28C7,-,HIPS,HB,BLK,-,-	1	
1-2	AA64-00189B	INLAY-CONTRTOL;28C7,S51A,PS,TO.3,BLK,-,-	1	
1-3	AA64-00190A	WINDOW-RMC;- ,28C7,-,PC,-,VIOLET,-	1	
1-4	AA64-70117B	BADGE-BRAND;AL,SS,SILVER,L65,R2000,-,-	1	
1-5	AA61-30001A	CATCH-DOOR;-,-,-,KIFUCO LA701,-	1	
1-6	HA64-10808A	KNOB-POWER;- ,28C7,M/S,ABS,HB,G3673	1	
1-7	AA61-60003T	SPRING-CS;- ,SUS304,0.5,OD7,H13.5,N5,-,-,	1	
1-8	AA64-00217B	KNOB-CONTROL;DP,28W6,AA64-10809C,-,-,GRAY	1	
1-9	AA64-00191A	INDICATOR-LED;- ,28C7,-,ACRYL,-,CLR,-	1	
1-10	6003-001026	SCREW-TAPTITE;RH,+ ,2,M4,L15,ZPC(BLK)SWRCH18	1	
1-11	6003-001026	SCREW-TAPTITE;RH,+ ,2,M4,L15,ZPC(BLK)SWRCH18	1	
1-12	HA95-00156A	ASSY-PCB,CONTROL;- ,S51A,28C7	1	
1-13	6001-000057	SCREW-MACHINE;RH,+ ,M3,L6,ZPC(BLK),SWRCH18A,F	2	
1-14	3001-001038	SPEAKER;6W,16OHM,92DB,140HZ	4	
1-15	6003-001026	SCREW-TAPTITE;RH,+ ,2,M4,L15,ZPC(BLK)SWRCH18	8	
1-16	HA61-40010A	BOSS-WING;- ,HIPS,HB,NTR,-,-	1	
2	AA03-00030A	CRT-COLOR;- ,A66EGW83X381,+380MG,-,110,42	1	
2-1	AA65-30017A	CLAMP-D,COIL;NYLON-66,V0,NTR,DADH300,25 20	9	
2-2	AA60-10050Q	SCREW-ASSY;WC,HH,+ ,M5,L26.5,SWRCH18A,ZPC(4	
2-3	3704-001105	SOCKET-CRT;11P,20PI,26.5PI,NI,-	1	
3	HA64-31364A	CABINET-BACK;- ,28C7,HIPS,V2,BLK,-,-	1	
3-1	6003-001026	SCREW-TAPTITE;RH,+ ,2,M4,L15,ZPC(BLK)SWRCH18	7	
3-2	AA96-00175A	ASSY-POWER,CORD;- ,CP2/NO(4.0),H/C450,KKJ1004A,	1	